

131-826H190 LGT-165 (1991)
46" Mowing Deck Assembly

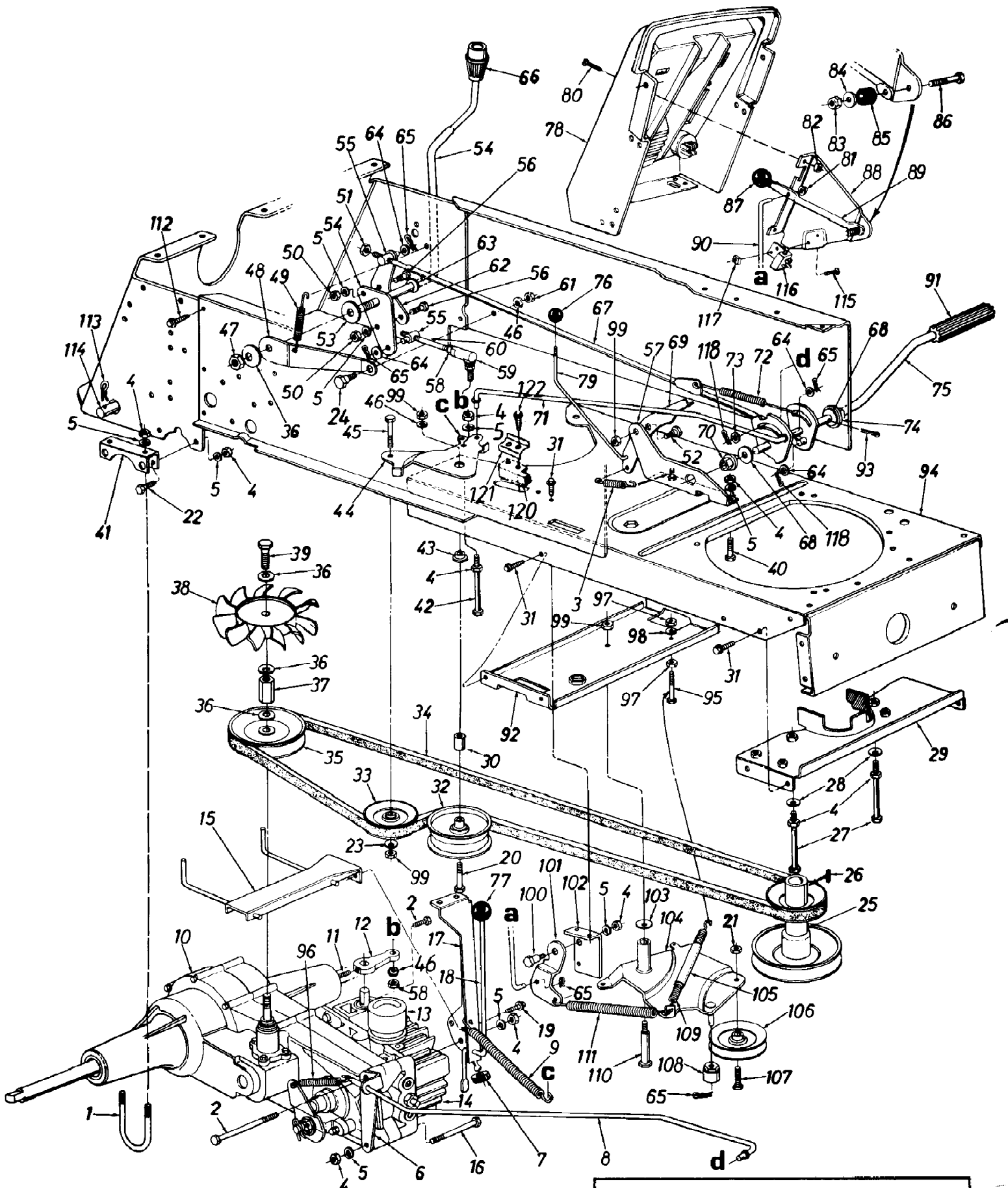
Page 2 of 23

Ref #	Part Number	Qty	S/P/F	Description
1	17347	1	S	Deck Stabilizer
2	17264	1	S	Diagonal Brace
6	17218D	1	S	46" Deck Ass'y.
	17212	1		46" Deck Ass'y. Comp.
7	710-0258	1	S	Hex Bolt 1/4-20 x .62" Lg.
8	711-0792	1	S	Hinge Pin
9	712-0298	1	S	Hex Jam Nut 1/4-20 Thd.
10		1		UNKNOWN
12	736-0270	1	/P	Bell-Wash. 1/4" I.D.
13	738-0392	1		Deck Connecting Rod
15	710-0604	1	S	Hex TT-Tap Scr. 5/16-18 x .62"
16	17261	1		Idler Mtg. Brkt.
17	710-0888	1	/P	Hex Bolt 5/16-24 x 1" Lg. (Spec.)
18	710-0157	1	/P	Hex Bolt 5/16-24 x .75" Lg.
19	712-0123	1	/P	Hex Nut 5/16-24 Thd.
20	736-0119	1	S	L-Wash. 5/16" I.D.
21	736-0242	1	/P	Bell-Wash. 5/16" I.D.
22	717-0912	1	S	Spindle Ass'y. (R.H. & Center)
23	717-0913	1	S	Spindle Ass'y. (L.H.)
26	710-0888	1	/P	Hex Bolt 5/16-24 x 1.0" Lg. (Spec.)
27	710-0877	1	S	Hex Cl-Bolt 3/8-24 x .88" Lg.
28	712-0123	1	/P	Hex Nut 5/16-24 Thd.
29	736-0119	1	S	L-Wash. 5/16" I.D.
30	736-0217	1	S	L-Wash. 3/8" I.D.-H.D.
31	742-0486	1	S	High Lift Blade 14.88" Lg.
32	742-0487	2		High Lift Blade 16.28" Lg.
33	748-0300	1		Blade Adapter
35	17116	1	S/F	Deck Brake Brkt. Ass y.
36	17213	1	S	Idler Bracket
37	17258	1	S	Belt Cover Brkt.-R.H.
38	17260	1	S	Belt Keeper Bracket
39	710-0152	1	S	Hex Bolt 3/8-24 x 1.0" Lg.
40	710-0459	1	S	Hex Bolt 3/8-24 x 1.5" Lg.
41	710-0559	1	F	Hex Bolt 1/4-28 x 1.75" Lg.
42	710-0599	1	/P	Hex Wash. Hd. Tap-Scr. 1/4-20 x .5" Lg.
43	710-0672	1	/P/F	Hex Bolt 5/16-24 x 1.25" Lg. (Grade 5)
44	710-0698	1	/P	Hex Bolt 1/4-28 x 1.5" Lg.
46	711-0747	1	S	Belt Guard Pin 1/4" Dia.
47	712-0117	1	S/F	Hex Cent. L-Nut 1/4-28 Thd.
48	712-0123	1	/P/F	Hex Nut 5/16-24 Thd
49	712-0138	1	S/F	Hex Nut 1/4-28 Thd.
50	712-0241	1	/P	Hex Nut 3/8-24 Thd.
51	712-0287	1	S	Hex Nut 1/4-20 Thd. *
52	712-0318	1	/P	Hex Jam Nut 5/8-18 Thd.
53	727-0426	1	F	Brake Cable Ass y.
	727-0445	1	S/F	Brake Cable Ass'y. (Style 9)
54	732-0594A	1	S	Extension Spring 6.17" Lg.
55	732-0429A	1	S/F	Extension Spring 3.97n Lg.
56	736-0105	1	/P	Bell-Wash. .38" I.D. x .88n O.D.
57	736-0331	1	/P	Bell-Wash. .39" I.D. x 1.13" O.D.
60	736-0317	1	/P	Bell-Wash. 618n I.D. x 1.25" O.D.
61	736-0329	1	S	L-Wash. 1/4n I.D.
62	736-0416			L-Wash. 1/4n I.D. x 3" O.D.

131-826H190 LGT-165 (1991)
46" Mowing Deck Assembly

Page 3 of 23

Ref #	Part Number	Qty	S/P/F	Description
63	738-0347	1	S	Shld. Spacer .625" I.D.
64	748-0234	1	/P/F	Shld. Spacer
65	750-0214	1	F	Spacer.34" I.D.
66	750-0470	1	F	Spacer.326" I.D.
67	754-0349	1	S	V-Belt
68	754-0350	1	S	V-Belt
69	756-0365	1	S	FI-Idler w/Flanges 3.5" O.D.
70	756-0519	1	/P	Pulley 5.0n Dia.
71	756-0520	1		Pulley 5.0n Dia.
72	711-0701	1	S/F	Clevis Pin 1/4" Dia. x .53" Lg.
73	712-0798	1	/P	Hex Nut 3/8-16 Thd.
74	714-0104	1	S/F	Intern. Cotter Pin 5/16" Dia.
75	714-0145	1	S	Intern. Cotter Pin 3/8 Dia.
76	734-0973	1	/P	Deck Wheel 5" Dia.
77	734-3058B	1	S	Deck Wheel w/Insert 5n Dia.
78	736-0169	1	S	L-Wash. 3/8" I.D.
79	736-0192	1	S	FI-Wash. .531" I.D.
80	738-0533	1	S	Shoulder Bolt .498n Dia. x 1.64" Lg.
81	738-3056	1	S	Shoulder Bolt
82	710-0653	1	/P	Hex Wash. Hd. Tap-Scr. 1/4-20 x .38" Lg.
83	732-0602	1	S	Torsion Spring
84	703-1693	1	S	Hinge Mtg. Brkt.
85	726-0106	1	S	Push Nut
86	731-1032	1	S	Chute Ass'y. Comp. (Incl. Ref. 8, 83, 84, 85, 86)
87	750-0757	1	S	Spacer 5/8" I.D. x 7/8" O.D.



IMPORTANT: Use only Original Equipment Manufacturer (O.E.M.) V-belts when replacing belts. They are of special construction (type of cord, cord location, length, etc.). Use of V-belts other than O.E.M. belts generally will provide only temporary service. For best results, use only factory approved parts.

131-826H190 LGT-165 (1991)
Drive Mounting Assembly

Page 5 of 23

Ref #	Part Number	Qty	S/P/F	Description
1	711-0827	1		U-Bolt 5/16-18 x 3.25" Lg.
2	710-3196	1		Hex Patch Bolt 5/16-18 x 4.5" Lg. (Gr. 5)
3	732-0445	1	/P	Ext. Spring .5" O.D. x 1.55"
4	712-0267	1	S	Hex Nut 5/16-18 Thd.
5	736-0119	1	S	L-Wash. 5/16" I.D.
6	17355	1		Brake Rod Guide Brkt.
7	735-0126	1	S	Rubber Wash. .33" I.D. x .87"
8	747-0731	1		Brake Rod
9	732-0384	1	S	Ext. Spring .62" O.D. x 6.12" Lg.
10	717-0950	1		Transaxle
11	710-0985	1		Set Screw 5/16-24 x .38" Lg.
12	748-0328	1	S	Pintle Shift Lever
13	717-3049	1	S	Reservoir
14	717-0940	1		Hydrostatic Pump
15	16929	1		Belt Guard Ass'y.
16	710-3195	1		Hex Bolt 5/16-18 x 4.5" Lg. Gr. 5
17	16807	1		Transaxle Torque Bracket
18	747-0570	1		Transaxle Control Rod
19	710-0603	1	/P	Hex Wash. Hd. B-Tap Scr. 5/16-18
20	710-3066	1	/P	Hex Bolt 3/8-16 x 2.75" Lg.
21	712-0214	1	S	Hex Cent. Lock Nut 3/8-16 Thd.
22	710-3008	1	/P	Hex Bolt 5/16-18 x .75" Lg. Gr. 5
23	736-0300	1	S	FI-Wash. .385" I.D. x .87" O.D.
24	738-0183	1	S	Shld. Bolt .5" Dia. x .212"
25	756-0540	1		Engine Pulley
26	714-0118	1	/P	Sq. Key 1/4 x 1.5" Lg.
27	710-0833	1	/P	Hex Bolt 5/16-18 x 5.25" Lg.
28	736-0242	1	/P	Bell-Wash. .345" I.D. x .88" O.D.
29	17357	1	S	Belt Keeper Brkt. Ass'y.
30	711-0396	1	/P	Spacer .375" I.D. x .75" Lg.
31	710-0599	1	/P	Hex Wash. Hd. TT-Tap Scr. 1/4-20 x .5" Lg.
32	756-0515	1		FI-Idler Pulley 3.25" Dia.
33	756-0116	1	S	V-Belt Idler
34	754-0365	1	S/F	V-Belt
35	756-0539	1		Transmission Pulley 4.25" O.D.
36	736-0112	1	/P	Bell-Wash. .56" I.D. x 1.5"
37	712-0356	1		Fan Adapter Nut 9/16-18 Thd.
38	731-0974	1		Fan
39	710-1043	1		Hex Bolt 9/16-18 x .5" Lg.
40	710-0118	1	S	Hex Bolt 5/16-18 x .75" Lg.
41	16925	1		Transaxle Mtg. Bracket
42	710-0176	1	/P	Hex Bolt 5/16-18 x 2.75" Lg.
43	738-0347	1	S	Shld. Spacer .625" I.D.
44	16926A	1		Clutch Idler Bracket
45	710-0344	1	/P	Hex Bolt 3/8-16 x 1.5" Lg.
46	736-0169	1	S	L-Wash. 3/8" I.D.
47	712-0922	1	/P	Hex Jam Nut 1/2-20 Thd.
48	16931	1		Speed Control Rod Torque Brkt.
49	732-0609	1		Ext. Spring 2.5" Lg.
50	712-0123	1	/P	Hex Nut 5/16-24 Thd.
51	712-0711	1	/P	Hex Jam Nut 3/8-24 Thd.
52	738-0147	1		Shld. Bolt .50n Dia. x .170"
53	736-0428	1		Shld. Bolt .54" I.D. x 1.75"

131-826H190 LGT-165 (1991)
Drive Mounting Assembly

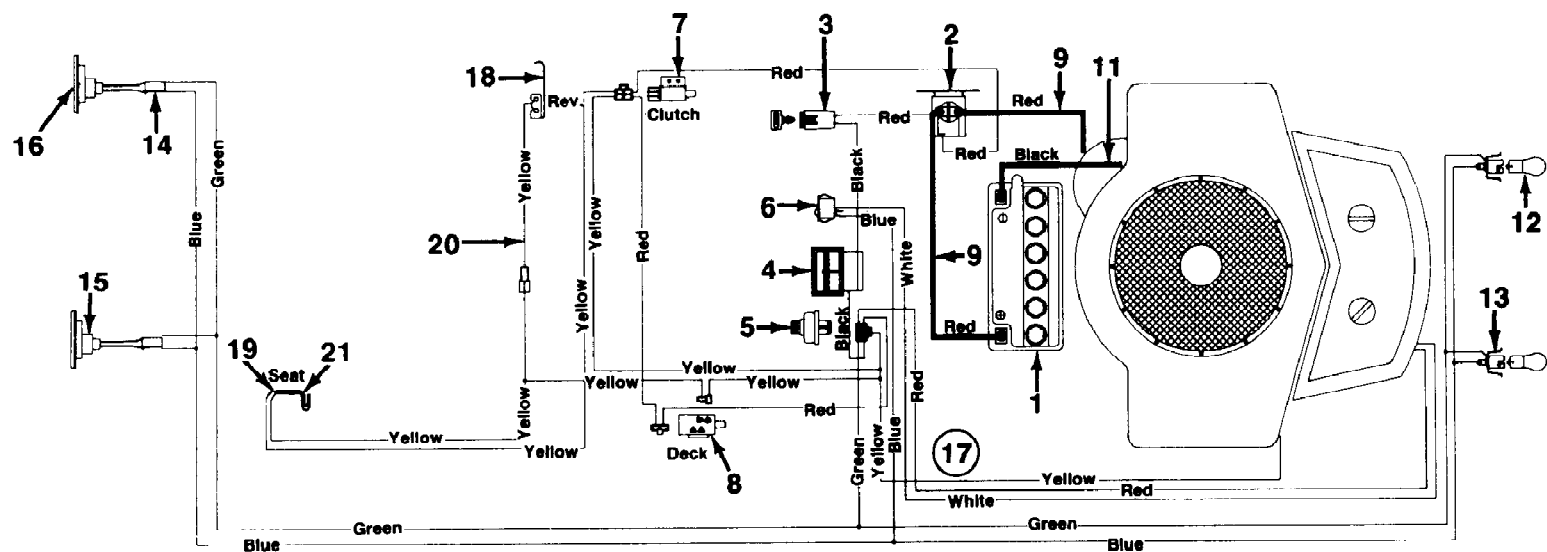
Page 6 of 23

Ref #	Part Number	Qty	S/P/F	Description
54	16930	1		Speed Control Handle Ass'y.
55	711-0198	1	S	Ferrule 3/8-24 Thd.
56	710-0237	1	/P	Hex Bolt 5/16-24 x .62" Lg.
57	17348	1		Foot Pedal Mtg. Brkt.
58	712-0241	1	/P	Hex Nut 3/8-24 Thd.
59	723-0351	1	S	Ball Joint Ass'y.
60	747-0508	1		Control Rod 3/8-24 x 3.75" Lg.
61	712-0798	1	/P	Hex Nut 3/8-16 Thd.
62	16940	1		Speed Selector Handle Brkt.
63	736-0257	1	S	FI-Wash. .531" I.D. x 1.25n O.D.
64	736-0140	1	S	FI-Wash. .385" I.D. x .62" O.D.
65	714-0104	1	S	Internal Cotter Pin
66	720-0218	1	/P	Shift Knob
67	17416	1		Neutral Return Rod
68	736-0187	1	/P	FI-Wash. .64" I.D. x 1.24" O.D.
69	17351	1		Parking Brake Lock Brkt.
70	741-0225	1	S	Hex Flange Brg. 634n Dia.
71	747-0728	1		Clutch Idler Rod
72	732-0608	1		Extension Spring 8" Lg.
73	736-0264	1	S	FI-Wash. .344" I.D. x .62" O.D.
74	748-0209	1	S	Flange Bearing w/Flats
75	17350	1		Foot Pedal Ass'y.
76	720-0166	1	/P	Ball Knob Brake
77	720-0187	1		Ball Knob 1/4-20 Thd.
78	731-0957	1		Dash Panel Ass'y.
79	747-0722	1		Parking Brake Link
80	710-0286	1	/P	Truss Mach. Scr. 1/4-20 x .5" Lg.
81	726-0106	1	S	Push Nut 1/4" O.D. Rod
82	712-0271	1	/P	Hex Sems Nut 1/4-20 Thd.
83	712-0324	1	/P	Hex L-Nut 1/4-20 Thd.
84	736-0173	1	/P	FI-Wash. .281" I.D. x .73" O.D.
85	736-0126	1	S	Rubber Wash. .33" I.D. x .87"
86	710-0106	1	/P	Hex Bolt 1/4-20 x 1.25" Lg.
87	720-0165	1	S	Knob-Blade Clutch
88	13950A	1		Deck Clutch Cont. Brkt.
89	747-0513	1		Blade Clutch Lever
90	747-0708	1	S	Deck Control Rod
91	735-0196	1	S	Foot Pad
92	16888	1	S	Deck Idler Support Brkt.
93	714-0115	1	S	Cotter Pin 1/8" Dia.
94	17359A	1	S	Lower Frame
95	710-0501	1	/P	Hex Bolt 1/4-20 x 2" Lg.
96	732-0607	1		Ext. Spring 3.675" Lg.
97	712-0287	1	S	Hex Nut 1/4-20 Thd.
98	736-0329	1	S	L-Wash. 1/4n I.D.
99	712-0375	1	/P	Hex Cent. L-Nut 3/8-16 Thd.
100	738-0155	1	S	Shld. Bolt .437" Dia. x .162"
101	13887	1	S	Deck Control Pivot Brkt.
102	13833	1	S	Parking Brake Mtg. Brkt.
103	736-0105	1	/P	Bell-Wash. 380n I.D. x .88" O.D.
104	14076A	1	S	Idler Brkt. Deck Ass'y.
105	731-0483	1	S	Convuluted Conduit 4" Lg.
106	756-0293A			

131-826H190 LGT-165 (1991)
Drive Mounting Assembly

Page 7 of 23

Ref #	Part Number	Qty	S/P/F	Description
107	710-0459	1	S	Hex Bolt 3/8-24 x 1.5" Lg.
108	748-0278	1	S	Spacer
109	732-0308	1	S	Ext. Spring 6.87" Lg.
110	738-0129	1		Shld. Bolt 498" Dia. x 2.05"
111	732-0478	1	S	Ext. Spring 6.12" Lg.
112	710-0726	1	/P	Hex Wash. AB-Tap Scr. 5/16 x ,7sn Lg.
113	714-0147	1		Hitch Pin Clip
114	738-0482	1		Hitch Rod
115	710-0473	1	/P	Truss Mach. Scr. #10-24 X ,5n
116	725-0465A	1	S	Safety Switch
117	712-0121	1	S	Hex Nut #10-24 Thd.
118	714-0111	1	S	Cotter Pin 3132" Dia. x 1.0" Lg.
120	725-3169A	1	S	Safety Switch
121	17962	1		Switch Plate
122	710-1214	1		Torx Mach. B-Tap Scr.

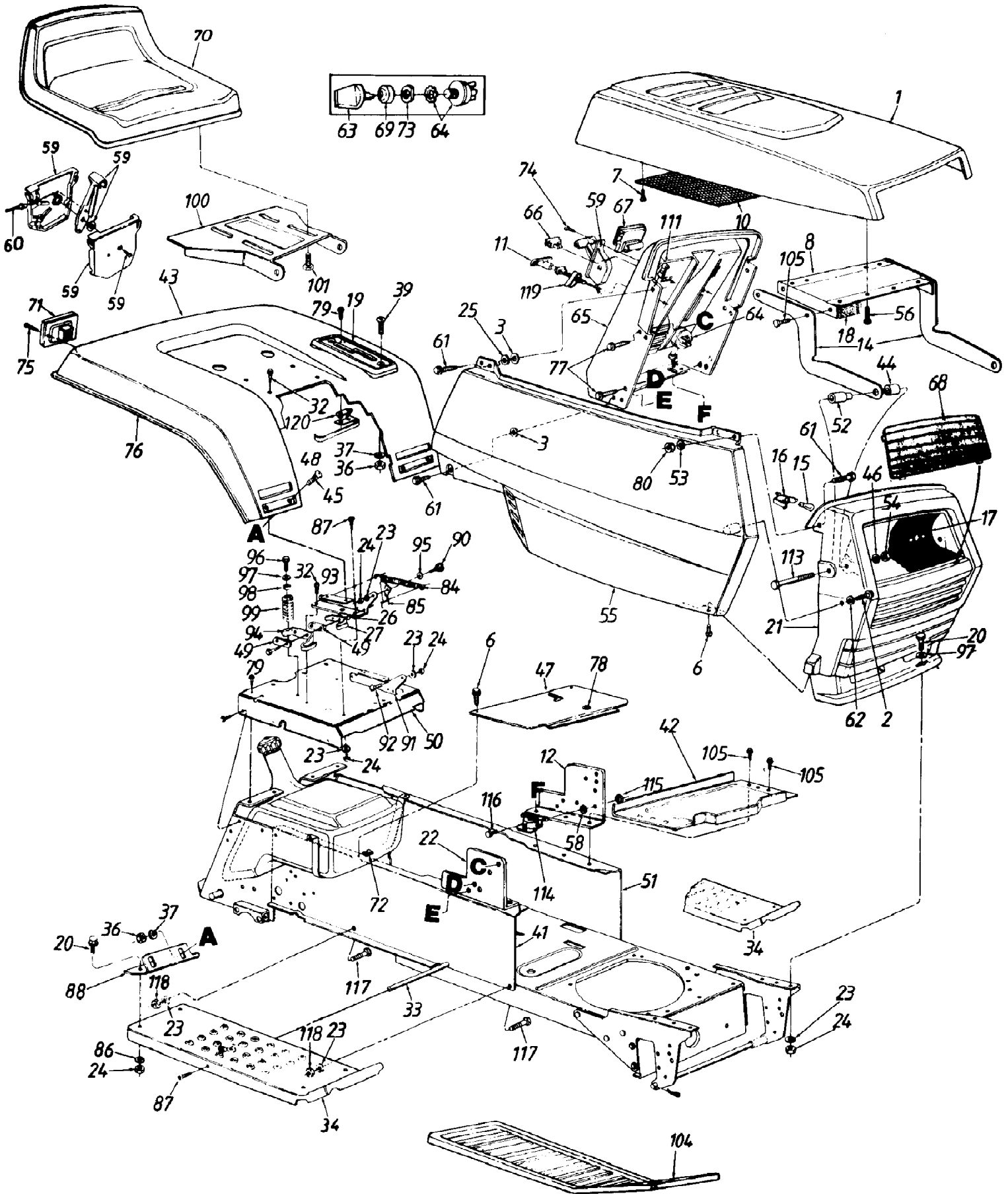


131-826H190 LGT-165 (1991)
Electrical Assembly

Page 9 of 23

Ref #	Part Number	Qty	S/P/F	Description
1	725-1430	1	S	Battery (275 Cold Crank Amps)
2	725-1426	1	S	Solenoid
3	725-1625	1		Fuse 7.5 Amps
4	725-0925	1	S	Ammeter
5	725-0267	1	S	Ignition Switch
6	725-0634	1	S	Light Switch
7	725-3169A	1	S	Safety Switch (Clutch)
8	725-0465A	1	S	Safety Switch (PTO)
9	725-0561	1	S	Electric Wire 14n Lg.
11	725-0996	1	S	Ground Wire 7.5" Lg.
12	725-0963	1	S	Lamp
13	725-1058A	1	S	Socket
14	725-1380	1		Taillight Harness
15	725-3018	1		Taillight Ass'y.
16	725-3020	1	S	Taillight Bulb
17	629-0035	1		Wire Harness
18	725-0759	1	S	Spring Switch
19	725-1303	1	S	Spring Switch
20	725-1399	1		Transmission Ext. Wire
21	725-1439	1		Seat Safety Switch

131-826H190 LGT-165 (1991)
Frame Assembly



131-826H190 LGT-165 (1991)
Frame Assembly

Page 11 of 23

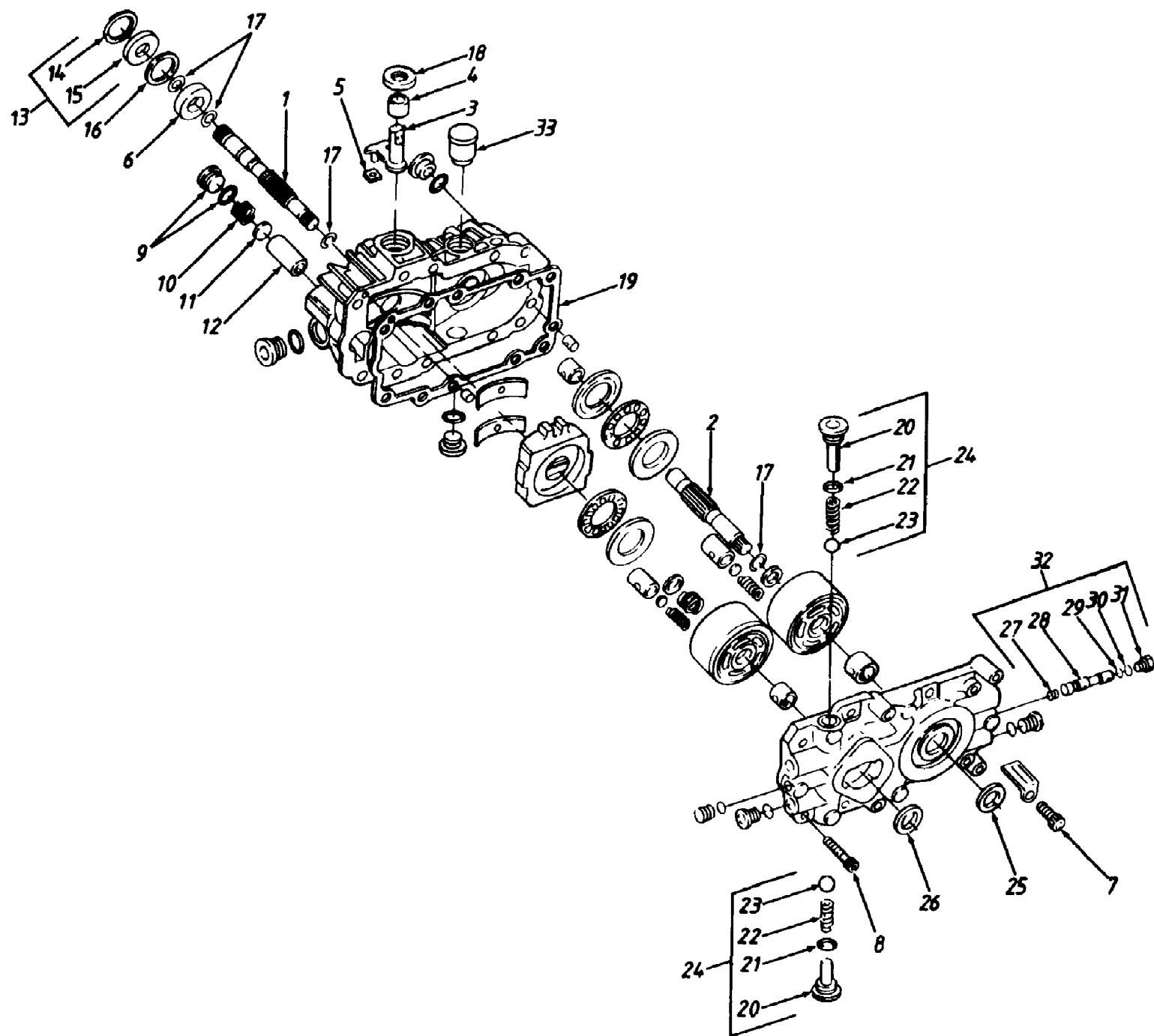
Ref #	Part Number	Qty	S/P/F	Description
1	731-1036	1		Hood
2	710-0896	1	/P	Hex Wash. B-Tap Scr. 1/4 x .62" Lg.
3	726-0233	1	/P	Bolt Retainer 1/4" I.D.
6	710-0351	1	/P	Truss Mach. B-Tap Scr. #10 x .5" Lg.
7	710-0200	1		Hex Wash Hd. AB-Tap Scr. #8 x .5" Lg.
8	16903	1	S	Hood Plate
10	723-0416	1		Screen
11	746-0614A	1	/P	Choke Control
12	17294	1		Dash Support Brkt.-L.H.
14	16902	1		Hood Hinge
15	725-0963	1	S	Lamp
16	725-1058A	1	S	Twist Lock-Lamp Socket
17	777-8516	1		Reflector-Headlight
18	722-0199	1		Foam Seal
19	731-1053A	1	S	Speed Control Index Brkt.
20	710-0376	1	/P	Hex Bolt 5/16-18 x 1.0" Lg.
21	731-1037	1		Grille
22	17293	1	S	Dash Support Bracket-R.H.
23	736-0119	1	S	L-Wash. 5/16" I.D.
24	712-0267	1	S	Hex Nut 5/16-18 Thd.
25	736-0176	1	S	FI-Wash. 1/4" I.D. x .93" O.D.
26	726-0278	1		Insulator Boss Plate
27	725-1439	1		Seat Spring Switch
32	710-0726	1	/P	Hex Wash. Hd. AB-Tap Scr. 5/16 x .75" Lg.
33	738-0435	1		Running Board Rod
34	16922	1		Running Board-R.H.
	16921	1		Running Board-L.H.
36	712-0287	1	S	Hex Nut 1/4-20 Thd.
37	736-0329	1	S	L-Wash. 1/4" I.D.
39	710-0166	1	S	Truss Mach. Scr. 1/4-20 x 1.0" Lg.
41	17360	1		R.H Side Frame
42	17635	1	S	Battery Plate
43	17330	1		Rear Fender
44	750-0755	1		Spacer .33" I.D. x .625" O.D.
45	710-0167	1	/P	Carriage Bolt 1/4-20 x .50" Lg.
46	736-0278	1		FI-Wash. .328n I.D. x .68" O.D.
47	17393	1	S	Transmission Panel
48	725-0759	1	S	Reverse Safety Switch
49	726-0279	1		Insulator Plate
50	16848B	1	S	Seat Plate
51	17361A	1		L.H. Side Frame
52	750-0754	1		Shld. Spacer .33" I.D.
53	736-0142	1	S	FI-Wash. .281" I.D. x .5" O.D.
54	712-0158	1	S	Hex Cent. L-Nut 5/16-18 Thd.
55	17448	1		Side Cover-R.H.
	17447	1		Side Cover-L.H. (Not Shown)
56	710-0896	1	/P	Hex Wash. Hd. B-Tap Scr. 1/4 x .62" Lg.
58	736-0222	1	S	Ext. L-Wash. 1/4n I.D.
59	831-0823A	1	/P	Throttle Control Box Ass'y.
60	746-0634	1	S	Throttle Control Wire 35" Lg.
61	710-0258	1	S	Hex Bolt 1/4-20 x .62" Lg.
62	736-0173	1	/P	FI-Wash. .281" I.D. x .73" O.D.
63	725-1341B			

131-826H190 LGT-165 (1991)
Frame Assembly

Page 12 of 23

Ref #	Part Number	Qty	S/P/F	Description
64	725-0267	1	S	Ignition Switch
65	731-0957	1		Dash Panel
66	725-0634	1	S	Light Switch
67	725-0925	1	S	Ammeter
68	731-1038	1	S	Lens
69	725-1347	1	/P	Ignition Switch Cap
70	757-0351	1		Seat Ass'y.
71	725-3018	1		Taillight Ass'y.
72	726-0139	1	/P	Speed Nut #10Z
73	725-1346	1	S	Ignition Switch Nut
74	710-0779A	1	/P	Truss Mach. AB-Tap Scr. #10 x .5n Lg.
75	710-0936	1		Truss Hd. AB-Tap Scr. #6 x .62" Lg.
76	731-0511-81	1		Trim Strip-81
77	710-0642	1	/P	Hex Wash. Hd. Tap Scr. 1/4 x.75n Lg.
78	731-0405	1		Snap Bushing
79	710-0227	1	/P	Hex Wash. Hd. AB-Tap Scr. #8 x .50" Lg.
80	712-0291	1	S	Hex L-Nut 1/4-20 Thd.
84	732-0581	1	S	Ext. Spring 5.31n Lg.
85	17239A	1	S	Seat Lift Brkt.
86	736-0242	1	/P	Bell-Wash. .345n I.D. x .88" O.D.
87	710-0323	1	/P	Truss Machine Scr. 5/16-18 x 75" Lg
88	17406	1	S	Fender Bracket-R.H.
	17407	1	S	Fender Bracket-L.H.
90	738-0296	1	S	Shld. Bolt .437" Dia. x .268"
91	17701	1	S	Seat Pivot Brkt. Support-L.H.
92	738-0155	1	S	Shld. Bolt .437" Dia. x .162"
93	17702	1	S	Seat Pivot Brkt. Support-R.H.
94	725-1303	1	S	Spring Switch
95	736-0141	1	S	Spr.-Wash..445n I.D.
96	710-0601	1	S	Hex Wash. Hd. Tap Scr. 5/16-18 x .75" Lg.
97	736-0159	1	S	FI-Wash. .344n I.D.
98	722-0160	1		Bushing
99	732-0588	1		Compression Spring
100	15607D	1	S	Seat Pivot Bracket
101	710-0623	1	/P	Hex Tap Scr. 3/8-16 x .75"
104	731-1051	1		Foot Pad
105	710-0599	1	/P	Hex Tap Scr. 1/4-20 x .5" Lg.
111	712-0185	1		Speed Nut 1/4-20 Thd.
113	710-0176	1	/P	Hex Bolt 5/16-18 x 2.75"
114	725-1426	1	S	Solenoid
115	712-0271	1	/P	Hex Sems Nut 1/4-20 Thd.
116	710-0289	1	S	Hex Bolt 1/4-20 x .5" Lg.
117	710-1012	1	/P	Rib Neck Bolt 5/16-24 x .75n Lg.
118	712-0123	1	/P	Hex Nut 5/16-24 Thd.
119	17782	1		Retainer Clip
120	726-0200	1		Insulator Nut Plate

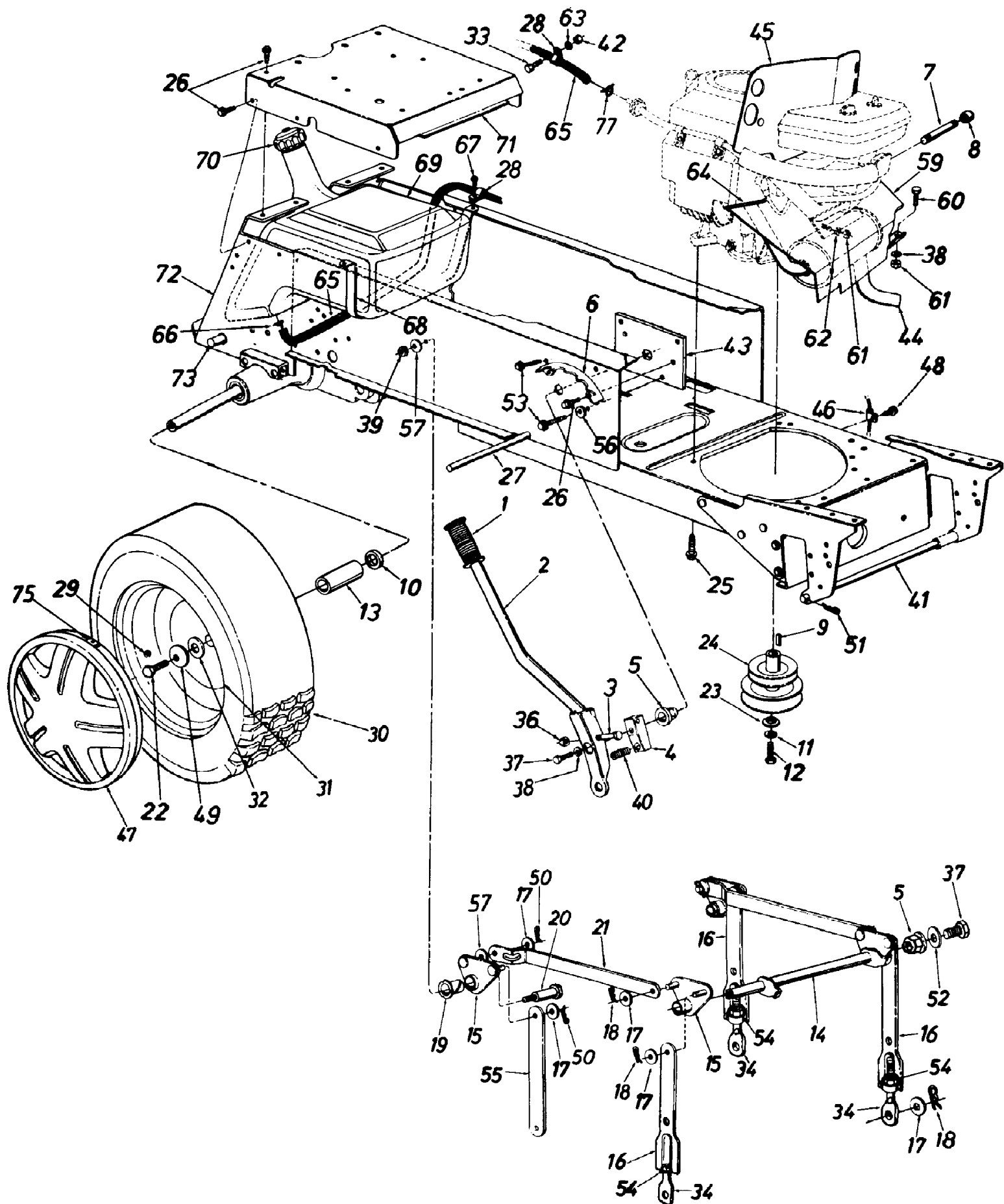
131-826H190 LGT-165 (1991)
Hydrostatic Transmission



131-826H190 LGT-165 (1991)
Hydrostatic Transmission

Page 14 of 23

Ref #	Part Number	Qty	S/P/F	Description
1	SU-J1020650	1	S	Shaft-Pump
2	SU-J1020651	1	S	Shaft-Motor
3	SU-J1030744	1	S	Arm, Trunnion
4	SU-J1041151	1	S	Bearing, Journal
5	SU-J1040980	1	S	Guide, Slot
6	SU-JSP0631	1	S	Bearing, Ball
7	SU-JAAM0802001	4		Screw, Socket Head
8	SU-JAAM0803501	4	S	Screw, Socket Head
9	SU-90051108700	1	S	Plug
10	SU-J1041159	1	S	Spring, Filter
11	SU-J1041158	1	S	Washer, Filter
12	SU-J1041157	1	S	Filter
13	SU-J1742003	1	S	Kit, Seal (Incl. 14 & 15)
14	SU-JFBE0351	1	S	Ring, Retaining
15	SU-JSP0632	1	S	Seal, Lip
16	SU-J1040972	1	S	Spacer
17	SU-J1040970	4	S	Ring, Retaining
18	SU-JSP0633	1	S	Seal, Lip
19	SU-J1020647	1	S	Gasket
20	SU-J1041007	2		Plug
21	SU-90042013700	2	S	O-Ring
22	SU-J1041195	2		Spring
23	SU-JHKW03	2	S	Ball
24	SU-J1742004	2	S	Kit, Check Valve (Includes Ref. No. 20, 21, 22 & 23)
25	SU-JSP0652	1	S	Seal, Lip
26	SU-J1040500	1	S	Seal, Lip
27	SU-J1041178	1	S	Spring
28	SU-J1041152	1		Spool, Bypass
29	SU-JKP1A003	1	S	O-Ring
30	SU-90042012500	1	S	O-Ring
31	SU-J1041153	1		Plug
32	SU-J1742006	1	S	Kit, Bypass Valve (Includes Ref. No. 27, 28, 29, 30 & 31)
	SU-J1742008	1	S	Kit, Overhaul Seal Includes Ref. No. 14, 15, 16, 17 (Qty. 4) , 18, 19, 21 (Qty. 2) , 25, 26, 29 & 30]
33	SU-J1742009	1	S	Reservoir



131-826H190 LGT-165 (1991)
Lift Assembly

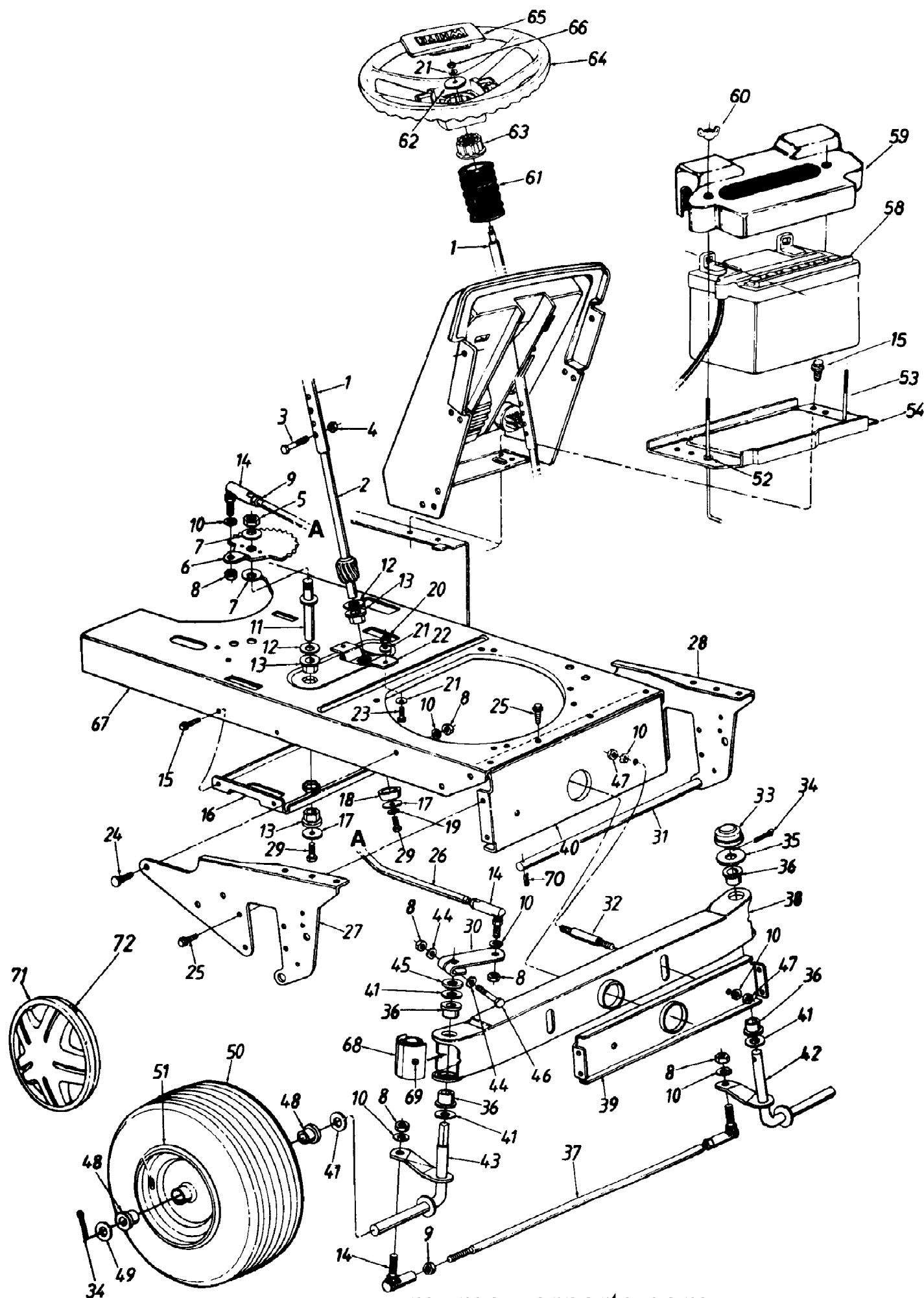
Page 16 of 23

Ref #	Part Number	Qty	S/P/F	Description
1	720-0233	1	S	Grip
2	17282	1	S	Lift Handle Ass'y.
3	710-0442	1	S	Hex Bolt 5/16-18 x 1.5" Lg.
4	748-0274A	1	/P	Lift Shaft Drive
5	741-0225	1	S	Plastic Hex Brg. 5/8" I.D.
6	14231	1	S	Index Brkt. Deck Lift
7	737-0164	1	S	Pipe Nipple 3/8-18 Npt.
8	737-0143	1	S	Pipe Cap 3/8-18 Npt.
9	714-0118	1	/P	Sq. Key 1/4" x 1/4n x 1.50" Lg.
10	736-0188	1	/P	Fl-Wash. .76" I.D. x 1.49" O.D.
11	736-0171	1	S	L-Wash. 7/16" I.D.
12	710-0757	1	/P	Hex Scr. 7/16-20 x 1.50" Lg.
13	731-1086	1	S	Sleeve .75" I.D. x 1.0" O.D.
14	13889	1		Lift Shaft Ass'y.
15	13895	1		Lift Pivot Brkt. Ass'y.
16	17303	1	S	Adj. Deck Lift Link
17	736-0192	1	S	Fl-Wash. 1/2" I.D. x 1.00n O.D. x ,ogon
18	714-0101	1	S	Hairpin Cotter
19	741-0295	1	S	Nyliner 5/8" I.D. x .88" Lg.
20	738-0445	1	S	Shld. Bolt .618" Dia. x .96" Lg. 3/8-16
21	13790	1	S	Connecting Link
22	710-0627	1	/P	Hex Bolt 5/16-24 x .75" Lg.
23	736-0322	1	/P	Flat Wash. .44" I.D. x 1.25" O.D. x .17"
24	756-0540	1		Two-Step Engine Pulley 5.56 & 3.5
25	710-0502A	1	/P	Hex Wash. Hd. Scr. 3/8-16 x 1.25n Lg.
26	710-0726	1	/P	Hex Thd. Rolling Scr. 5/16-18 x.75" Lg.
27	738-0435	1		Running Board Rod
28	726-0272	1	/P	Clamp
29	734-0255	1	S	Air Valve
30	734-1679	1	S/F	Rear Wheel Ass'y. Comp.
	734-1680	1	F	Tire Only
31	734-0603A	1	S	Rear Wheel Rim Only
32	736-0346	1		Flat Washer ,34n I.D.
33	710-0258	1	S	Hex Bolt 1/4-20 x .62n Lg.
34	711-0817	1	S	Eye Bolt Adj. Link 1/2-13 Thd.
36	712-0158	1	S	Hex Cent. L-Nut 5/16-18 Thd.
37	710-0237	1	/P	Hex Bolt 5/16-24 x .62n Lg.
38	736-0119	1	S	L-Wash. 5/16n I.D.
39	712-0181	1	S	Hex Top L-Nut 3/8-16 Thd.
40	732-0369	1	S	Compression Spring
41	738-0777	1	S	Deck Connecting Rod
42	712-0287	1	S	Hex Nut 1/4-20 Thd.
43	14170	1	S	Index Brkt. Reinforcement Plate
44	751-0474	1		Muffler
45	17452	1		Heat Shield
46	726-0273	1		Mounting Clamp
47	734-1504	1	S	Hubcap
48	710-0599	1	/P	Hex Wash. Hd. TT-Tap Scr. 1/4-20 x .5n Lg.
49	736-0242	1	/P	Bell-Wash..39" I.D.
50	714-0111	1	S	Cotter Pin .09 Dia. x 1.0" Lg.
51	714-0149B	1	S	Int. Cotter Pin
52	736-0231	1	S	Flat Wash. .34" I.D. x 1.12" O.D. x .125"
53	710-0600	1		AB-Tap Scr. 5/16-24 x .5" Lg.

131-826H190 LGT-165 (1991)
Lift Assembly

Page 17 of 23

Ref #	Part Number	Qty	S/P/F	Description
54	712-0206	1	S	Hex Nut 1/2-13 Thd .
55	14399	1	S	Deck Link
56	736-0264	1	S	Fl-Wash. .344n I.D.
57	736-0219	1	S	Bell-Wash. .4n I.D. x 1.13n O.D.
59	16934	1		Front Heat Shield
60	710-0118	1	S	Hex Bolt 5/16-18 x .75n Lg.
61	712-0267	1	S	Hex Nut 5/16-18 Thd.
62	736-0170	1	S	L-Wash. 5/16n I.D. (Special)
63	736-0329	1	S	L-Wash. 1/4n I.D.
64	731-0511-12	1		Trim Strip 12n Lg.
65	751-0535-50	1	S	Fuel Line 50n Lg.
66	726-0206	1		Hose Clamp
67	710-0776	1	S	Hex AB-Tap Scr. 1/4 x .62" Lg.
68	17424	1		Fuel Tank Strap
69	751-0528B	1		Gas Tank
70	751-0531B	1	/P	Gas Gauge
71	16848B	1	S	Seat Plate
72	17343	1		Hitch Plate
73	738-0482	1		Hitch Rod
75	727-0425A	1	S	Spring Clip
77	726-0272	1	/P	Hose Clamp



131-826H190 LGT-165 (1991)
Steering Assembly

Page 19 of 23

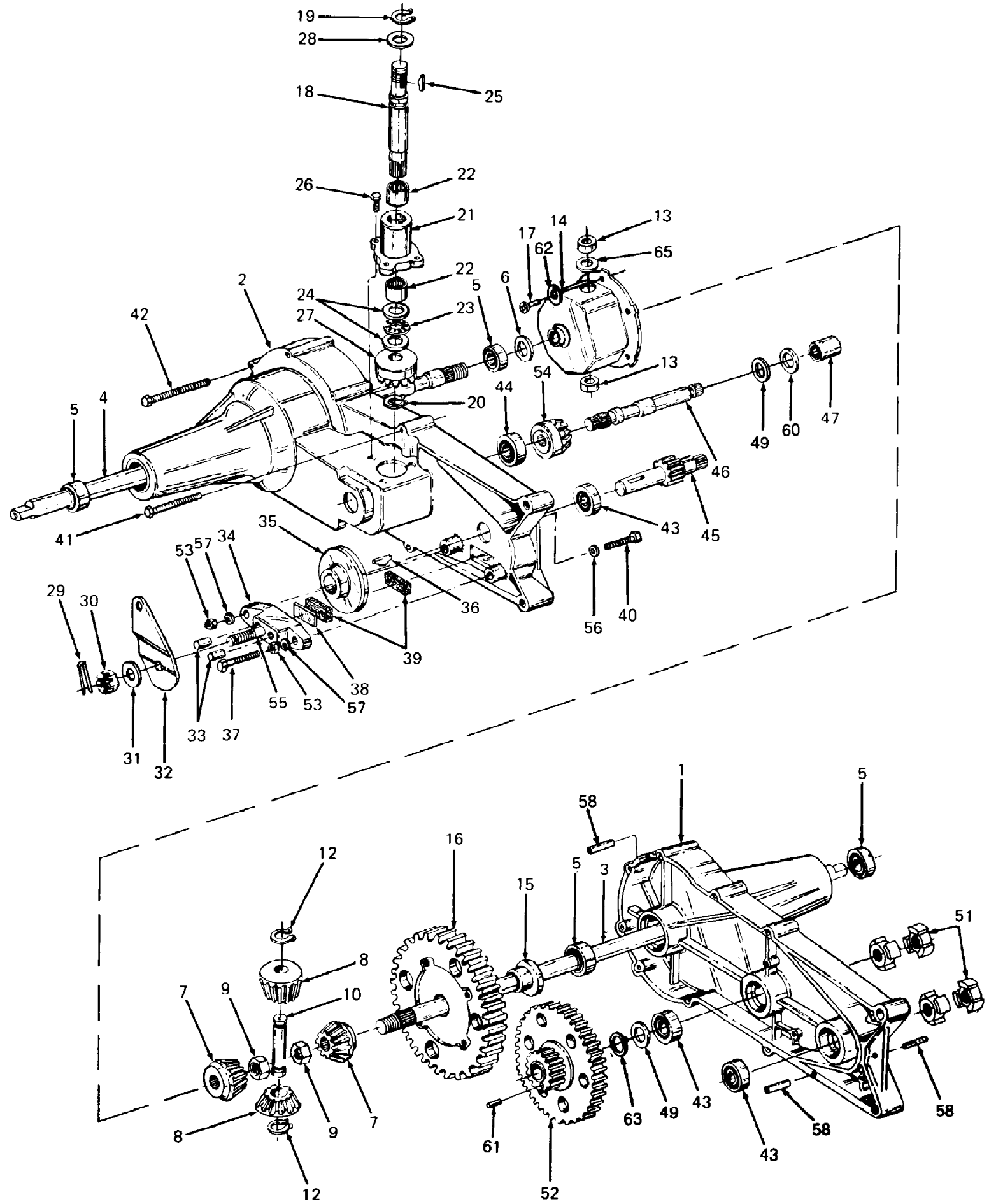
Ref #	Part Number	Qty	S/P/F	Description
1	16512	1		Steering Column Ass'y.
2	738-0763	1	S	Lower Steering Shaft
3	710-0958	1	/P	Hex Bolt 1/4-20 x 1.31" Lg.
4	712-0324	1	/P	Hex L-Nut 1/4-20 Thd.
5	712-0337	1		Hex Nut 5/8-18 Thd.*
6	717-0943A	1	S	Steering Gear Segment
7	736-0317	1	/P	Bell-Wash. 5/8" I.D. x 1.25" O.D.
8	712-0241	1	/P	Hex Nut 3/8-24 Thd.
9	712-0711	1	/P	Hex Jam Nut 3/8-24 Thd.
10	736-0169	1	S	L-Wash. 3/8" I.D.
11	738-0768	1		Steering Gear Segment Shaft
12	736-0187	1	/P	FI-Wash. .64n I.D. x 1.24" O.D.
13	748-0227	1	S	Hex Flange Brg. .63" I.D.
14	723-3018	1	S	Ball Joint Ass'y.
15	710-0599	1	/P	Hex Wash. Hd. TT-Tap Scr. 1/4-20 x .5" Lg.
16	16888	1	S	Deck Idler Support Brkt.
17	736-0343	1	/P	FI-Wash. .33" I.D. x 1.25" O.D.
18	750-0532	1	S	Spacer .985" I.D. x 1.25" O.D.
19	736-0119	1	S	L-Wash. 5/16" I.D.
20	712-0123	1	/P	Hex Nut 5/16-24 Thd.
21	736-0242	1	/P	Bell-Wash. .345" I.D. x .88" O.D.
22	16894	1	S	Bearing Retainer Brkt.
23	710-0157	1	/P	Hex Bolt 5/16-24 x .75" Lg.
24	710-0793	1		Ribbed Neck Bolt 3/8-24 x .8" Lg.
25	710-0604	1	S	Hex Wash. TT-Tap Scr. 5/16-18 x .62" Lg.
26	747-0579	1	S	Steering Drag Link
27	16896	1		Pivot Bar Side Plate-R.H.
28	16897	1		Pivot Bar Side Plate-L.H.
29	710-0538	1	/P	Hex Bolt 5/16-18 x .62" Lg.
30	16918	1	S	Steering Arm
31	738-0777	1	S	Deck Connecting Rod
32	738-0775	1		Pivot Bar Shld. Bolt 3/8-16 x 5/8" Lg
33	731-0484	1	S	Cap
34	714-0121	1	S	Cotter Pin 5/32" Dia.
35	736-0316	1	S	Flat Washer
36	741-0523	1	S	Flange Brg. .757" I.D.
37	747-0721	1		Tie Rod 20.25" Lg.
38	16843	1	S	Pivot Bar Assy.
39	16889	1	S	Pivot Bar Support Brkt.-Front
40	16890	1	S	Pivot Bar Support Brkt.-Rear
41	736-0188	1	/P	FI-Wash. .76" I.D. x 1.49n O.D.
42	738-0781	1		Front Axle Ass'y.-L.H.
43	738-0782	1		Front Axle Ass'y.-R.H.
44	736-0286	1	S	Bowed Washer
45	748-0160	1	S	Spacer .755" I.D. x 1.25n O.D.
46	710-0331	1	/P	Hex Bolt 3/8-24 x 2.25" Lg.
47	712-0798	1	/P	Hex Nut 3/8-16 Thd.
48	748-3007A	1	S	Bronze Flange Brg. .75n I.D.
49	736-0316	1	S	FI-Wash. .71n I.D. x 1.5n O.D.
50	734-1676	1		Wheel Ass'y. Comp.
	734-0864	1	/P	Tire Only
51	734-0961B	1		Rim Only
52	726-0271			

131-826H190 LGT-165 (1991)
Steering Assembly

Page 20 of 23

Ref #	Part Number	Qty	S/P/F	Description
53	711-0222	1	S	Battery Hold Down Rod
54	17635	1	S	Battery Plate
58	725-1430	1	S	Battery (275 Cold Crank Amps)
59	731-1132	1		Battery Cover
60	712-0113	1	S	Wing Nut Plastic 1/4-20 Thd.
61	731-0954	1	S	Steering Bellow
62	736-0418	1	S	Flat Washer
63	717-0935	1		Steering Wheel Adapter
64	731-0971	1		Steering Wheel
65	731-1039	1		Steering Wheel Cap
66	712-0237	1	S	Hex L-Nut 5/16-24 Thd.
67	17359A	1	S	Lower Frame
68	731-1049	1		Pivot Bar End Cap
69	737-0146	1	S	Grease Fitting
70	714-0149B	1	S	Internal Cotter Pin
71	734-1503	1	S	Hub Cap
72	727-0425A	1	S	Spring Clip

131-826H190 LGT-165 (1991)
Transaxle Assembly



131-826H190 LGT-165 (1991)
Transaxle Assembly

Page 22 of 23

Ref #	Part Number	Qty	S/P/F	Description
1	AF-44077	1	S	Housing Half, L.H.
2	AF-44076	1	S	Housing Half, R.H.
3	AF-44393	1		Axle, L.H.
4	AF-44392	1		Axle, R.H.
5	AF-44121	4	S	Bearing, Ball
6	AF-44008	1	S	Washer, Flat, .76" x 1-1/8" x .306" Thk. Hdn.
7	717-1019	2	S	Gear, Miter
8	717-1020	2	/P	Gear, Miter
9	712-0200	2	S	Nut, Hex Jam Patch Lock, 1/2-20 0
10	717-0673	1	S	Shaft, Cross
	736-0369	1	S	Washer, Flat .505" I.D. x 1.0
12	716-0142	2	S	Ring, Snap
13	717-0690	2	S	Bearing, Thrust
14	717-0777	1	S	Housing Ass'y. Differential
15	741-0376	1	S	Bearing, Flange, .75" I.D. x .587"
16	717-0759	1	S	Gear, Differential, 72 Tooth
17	710-1017	1	/P	Torx Hd. AB-Tap Scr. 1/4 x .62" Lg.
18	AF-44270	1	S	Shaft, Input
19	716-0115	1	S	Ring, Snap
20	716-0108	1	S	Ring, Retaining, Ext. 7/16" Dia.
21	AF-44081	1		Bearing, Input Housing
22	741-0335	2	S	Bearing, Needle, 5/8" I.D. x .50" Lg.
23	AF-44139	1	S	Bearing, Thrust
24	AF-44109	2	S	Washer, Flat, 5/8" I.D. x 1.12" O.D. x .030" Thk.
25	714-0129	1	S	Key #4 Hi-Pro, 3/32" x 5/8" Dia. (Hdn.)
26	AF-44122	3		Screw, Hex Patch Lock, 1/4-20 x 3/4" Lg.
27	AF-44078	1		Gear, Input Pinion, 17 Tooth
28	736-0336	2	S	Washer, Flat, .62" I.D. x 1.0" O.D. x .030" Thk.
	736-0349	1	S	Washer, Flat, .62" I.D. x 1.0" O.D. x .020n Thk. AR
	736-0337	1	S	Washer, Flat, .62" I.D. x 1.0" O.D. x .040" Thk. AR
	AF-44371	1	S	Washer, Flat, .62" x 1.0" O.D. x .50n Thk. AR
29	714-0507	1	S	Pin, Cotter
30	712-0335	1	S	Nut, Castle, 5/16-24 Thd.
31	736-0371	1	/P	Washer, Flat, .343" x .88n x .062" Thk.
32	AF-44094	1		Arm, Brake Actuator
33	741-0343	2	S	Pin, Actuating, 5/16" Dia.
34	717-0679	1		Yoke, Brake
35	717-0677	1	/P	Disc, Brake
36	714-0161	1	S	Key, Hi-Pro, 3/16" x 5/81' Dia.
37	AF-44276	1		Screw, Hex Patch Lock, 1/4-20 x 1 5n Lg
38	717-0682	1	S	Plate, Puck
39	717-0678	2	S	Puck, Brake
40	AF-44277	1		Screw, Hex Cap, 1/4-20 x 1.5" Lg.
41	AF-44123	2		Screw, Hex Self-Tap, 1/4-20 x 2 on Lg
42	AF-44124	6		Screw, Hex Self-Tap, 1/4-20 x 2.75" Lg.
43	741-0155	3	S	Bearing, Ball
44	741-0361			

131-826H190 LGT-165 (1991)
Transaxle Assembly

Page 23 of 23

Ref #	Part Number	Qty	S/P/F	Description
45	AF-44083	1	S	Shaft, Pinion w/11 Tooth Gear
46	AF-44080	1	S	Shaft, Drive
47	AF-44342	1	S	Bearing, Needle
49	AF-44110	1		Washer, Flat, 5/8n x 1.12n x .060" Thk.
	AF-44371	AR	S	Washer, Flat, 5/8n x 1.12n x 050n Thk.
51	AF-44084	4	S	Coupling
52	AF-44082	1	S	Gear, Tooth 60 & 17
53	712-0298	1	S	Nut, Hex Jam, 1/4-20 Thd.
54	AF-44079	1	S	Gear, Drive Pinion, 17 Tooth
55	717-0796	1	/P	Bolt, Square Hd. 5/16-24 Thd.
56	736-0176	1	S	Washer, Flat, .265" x 938n x .12 Thk.
57	736-0329	1	S	Washer, Lock, 1/4" I.D.
58	AF-44269	3		Pin, Roll, 3/16 Dia. x 50n Lg.
	737-3047	1		Grease, Transmission 16 oz.
60	AF-44343	1	S	Bronze Thrust Brg. 5/8n I.D.
61	AF-44346	1		Dowel Pin 3/32" x 1/4
62	AF-44504	4		Washer, Spring Lock 1/4" I.D.
63	AF-44394	1	S	Seal, Grease
65	736-0369	1	S	Washer, Flat, .62n I.D. x 1.0" O.D. x 020n Thk.
	AF-44421	AR		Washer, Flat, .62n I.D. x 1 on O.D. x 030n Thk.